
Radiant Heaters

type TA, TA-R & IHS

Infrateper radiant heaters are cost effective and produce efficient heating due to the special properties of infrared radiation. The rays do not heat the air but only the objects and persons affected by the heat rays.

Radiant heaters are also suitable and cost effective in connection with indoor use for local heating of e.g. workroom, bathroom, as well as heating of workplaces



SINUS
JEVI 



Infratemper radiant heaters are cost effective and produce efficient heating due to the special properties of infrared radiation. The rays do not heat the air but only the objects and persons affected by the heat rays. Infratemper is therefore suitable for outdoor use. If the radiant heater is mounted and placed correctly it is possible to enjoy the stay at your terrace even at a low ambient temperature.

Radiant heaters are also suitable and cost effective in connection with indoor use for local heating of e.g. bathroom as well as heating of workplaces. When using the heater for a long period the radiant heater and the heated objects in the room will give off heat to the air.

MOUNTING

The heater is placed thus only the used area is heated. If possible it is recommended to mount several heaters so that the heat is given off from several sides. It is also recommended to mount the heaters so that the heat rays are coming from the coldest direction, e.g. thus the heaters are pointed towards the wall at the terrace. See also the installation instruction.

The necessary output depends on the installation height, ambient temperature and duration of the stay, i.e. a high installation height, low ambient temperature and long stay requires a high output. An installation height of 2 m, an air temperature of 15°C and a 2 hour stay requires an output of 500-750 Watt/m².

TA - an universal Infratemper radiant heater for both indoor and outdoor use. The housing is made of electroplated steel plate covered with polyester powder coating. The reflector is made of mirror finished anodised aluminium. The TA series is splash-proof and is therefore suitable for outdoor use under a shelter.

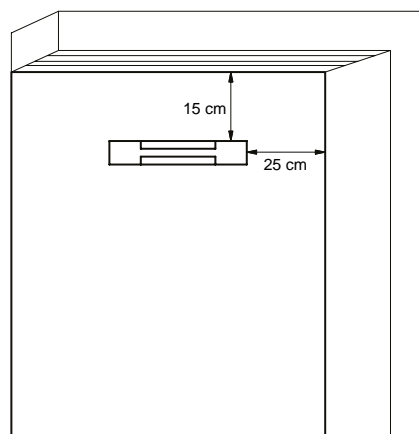
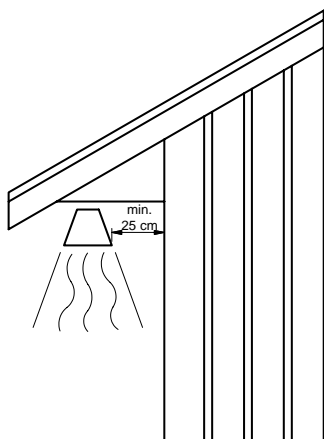


TA-R - an adjustable Infratemper radiant heater suitable at places where it is desirable to regulate the output. The two heating elements in connection with the built-in switch enables regulation of the heat with 1/4, 1/2 and 1/1 output and is therefore cost effective. The TA-R series is splash-proof and is therefore suitable for outdoor use under a shelter.



IHS - Infratemper radiant heater is made of stainless steel and the reflector of coated aluminium. The IHS series has a protection class IP54 and is thus suitable for application in e.g. fish- and canning industry, at dairy industries and abattoirs.





TECHNICAL DATA			INFRATEMPER	
Type	Output	Voltage	Length	Article number
TA-50	500 Watt	230 Volt	725 mm	424 050 230A
TA-100	1000 Watt	230 Volt	1215 mm	424 100 230B
TA-150	1500 Watt	230 Volt	1785 mm	424 150 230B
TA-200	2000 Watt	230 Volt	2215 mm	424 200 230A
TA-R 100	1000 Watt	230 Volt	725 mm	424 100 230C
IHS-100	1000 Watt	230 Volt	925 mm	424 100 230A
IHS-150	1500 Watt	230 Volt	1230 mm	424 150 230A
TA-50	500 Watt	400 Volt	725 mm	424 050 400A
TA-100	1000 Watt	400 Volt	1215 mm	424 100 400A
TA-150	1500 Watt	400 Volt	1785 mm	424 150 400A
TA-200	2000 Watt	400 Volt	2215 mm	424 200 400A
TA-R 100	1000 Watt	400 Volt	725 mm	424 100 400B



WARNING! Hot surface when energized!

SINUS JEVIΩ

Sinus is one of the pioneers in the field of explosion proof heating equipment, today we are still operating at the forefront. We manufacture according to ATEX as well as IECEx and EAC directives.

For the production of Ex-proof equipment a PQAN (Product Quality Assurance Notification) is issued by TUV-Nord. Our ISO-9001 and ISO-14001 systems are also monitored by this organisation.

NIBE