
Instrumental Gas Heaters Type D-7800

The explosion proof gas heater type D-7800 has been designed for heating small amounts of natural gas or other gases for pneumatic control, to prevent freezing up the pressure controllers by the well known "Joule Thomson Effect" in temperature class T5 and T3.



**SINUS
JEVI Ω**



Liquids



Gasses



Solids



Spaces



Resistors

Description

The explosion proof gas heater type D-7800 has been designed for heating small amounts of natural gas or other gases for pneumatic control, to prevent freezing up the pressure controllers by the well known "Joule Thomson Effect" in temperature class T5 and T3.

Design

The natural gasheater type D-7800 consists of: A stainless steel tube for the circulation of the natural gas. A coiled tubular heating element is connected to a supply cable and fitted with an earth conductor to which the earth wire is fixed. The assembly is completely moulded in a compound casted in a stainless steel enclosure used as mould for the encapsulation.

Technical Specification

Tubular heating element according to D6930 (ISSeP07ATEX038U) with a diameter of 8.5 mm.

Power: 25 Watt, 24 Volts 50 Hz. for execution 100°C (T5)

Power: 50 Watt, 34 Volts 50 Hz. for execution 141°C (T3)

Material of the enclosure and tubular heating elements is stainless steel.

Degree of protection Ex II 2 G - Ex e II T3 Gb (141 °C max.) or Ex e II T5 Gb (100°C max.) According EN-IEC 60079-0 and 60079-7.

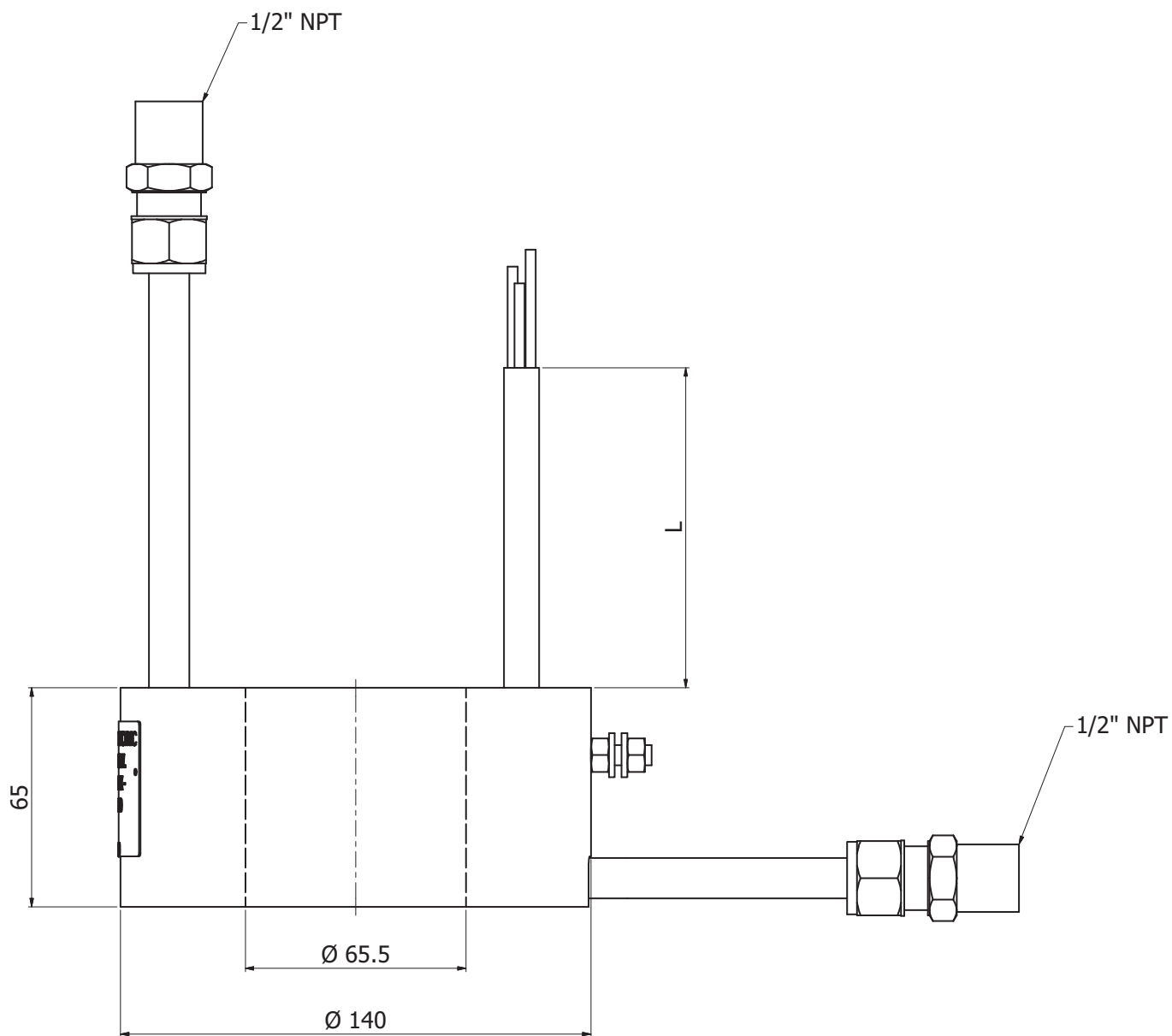
Working pressure 100 barg, test pressure 143 barg.

Maximum working temperature 60°C.

Certification number: ISSeP07ATEX041X/1



Article number	Power	Voltage	Temp. class	Cable length	Maximum working temp.
A570 207 800	25 Watt	24 Volt	T5 (100°C)	2 metres	60°C
A570 507 800	50 Watt	34 Volt	T3 (141°C)	2 metres	60°C
A570 207 801	25 Watt	24 Volt	T5 (100°C)	5 metres	60°C



SINUS JEVI

Sinus is one of the pioneers in the field of explosion proof heating equipment, today we are still operating at the forefront. We manufacture according to ATEX as well as IECEx and EAC directives.

For the production of Ex-proof equipment a PQAN (Product Quality Assurance Notification) is issued by Bureau Veritas. Our ISO-9001 and ISO-14001 systems are also monitored by this organisation.

NIBE